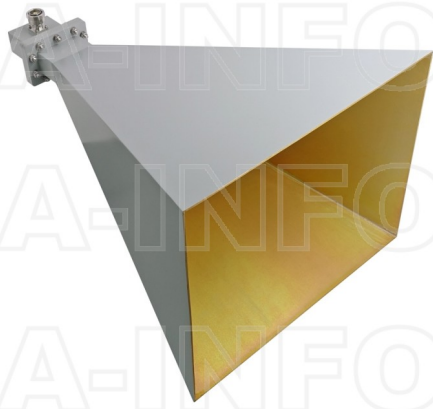


LB-284-20-C-7/16F Standard Gain Horn Antenna 2.6-3.95GHz 20dB Gain 7/16(DIN) Female



Standard Gain Horn Antenna Operating From 2.6GHz to 3.95GHz With a Nominal 20dB Gain With 7/16(DIN) Female Connector

Product Information

SKU	LB-284-20-C-7/16F
-----	-------------------

Description

Standard Gain Horn Antenna LB-284-20-C-7/16F, operating from 2.6 to 3.95GHz with a nominal 20dB gain and low VSWR 1.25:1 with 7/16(DIN) Female connector output. The model LB-284-20-C-7/16F has uniform gain through its frequency span, providing efficient performance characteristics and directionality. It can handle 500W continuously and 3000W peak power. Constructed of lightweight corrosion-resistant aluminum, the antenna will provide years of trouble-free indoor and outdoor service. This standard gain horn antenna is linearly polarized and ideally suited for EMI testing, direction finding, surveillance, antenna gain and pattern measurements and other applications.

Technical Specification

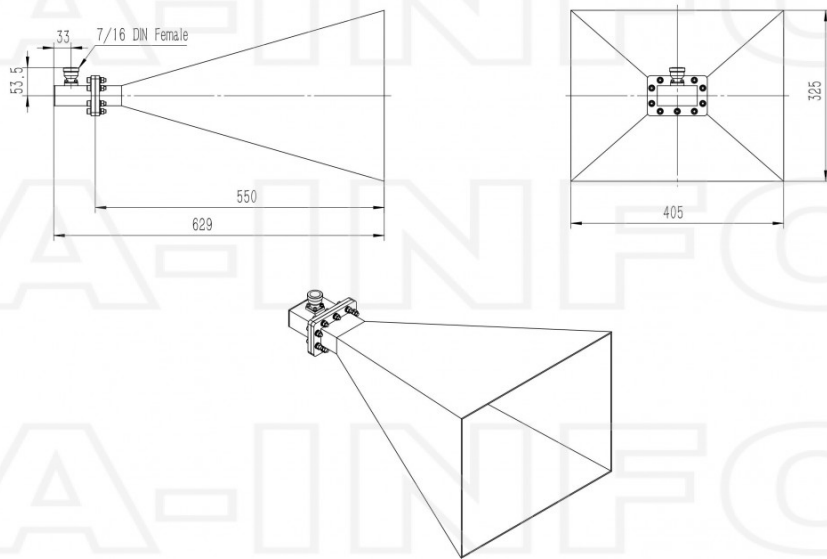
Electrical Specification		Interface	
Frequency, Min (GHz)	2.6	Output Type	Coaxial
Frequency, Max (GHz)	3.95	Connector	7/16 DIN
Waveguide Type	Rectangular	Connector Gender	Female
Waveguide Size EIA WR	WR284	Mechanical Specification	
Gain, Typ (dBi)	20	Figure	C Type
Polarization	Linear	Body Material	Al
3dB Beamwidth, E-Plane, Typ (Deg.)	16	Finish	Chemical Conversion Coating, Gray Paint
3dB Beamwidth, H-Plane, Typ (Deg.)	18	Size, W (mm)	405
Cross Pol. Isolation, Typ (dB)	40	Size, H (mm)	325
VSWR, Typ	1.25:1	Size, L (mm)	629
Impedance, (Ohm)	50	Weight, (kg)	3.6
Power Handling, CW, (W)	500		
Power Handling, Peak, (W)	3000		

Additional Information

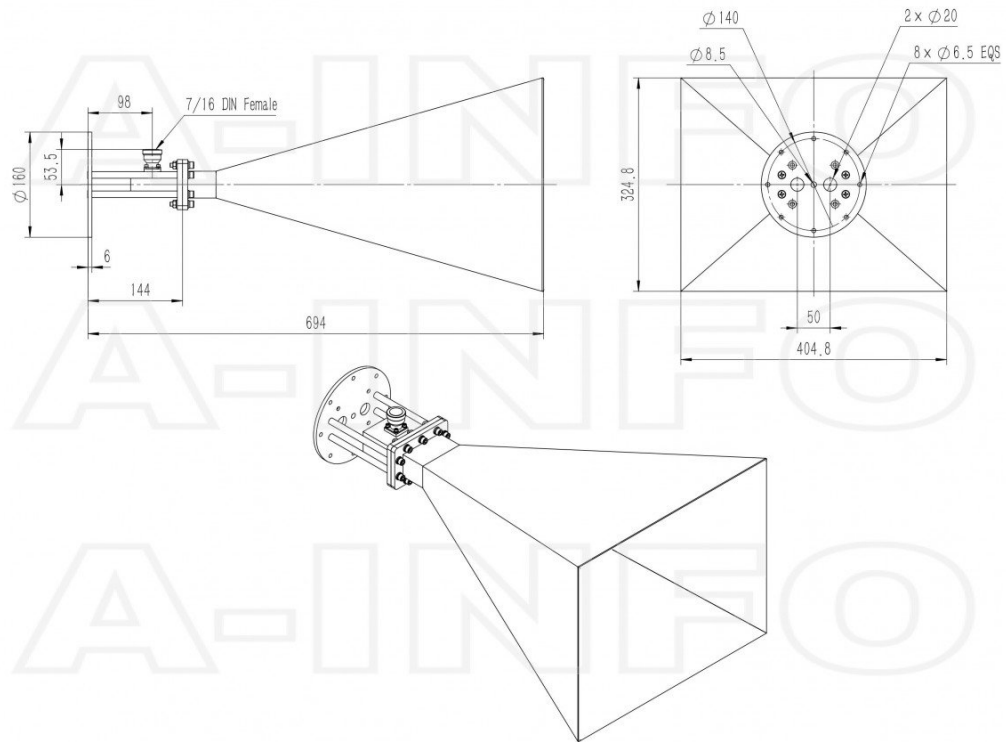
Application	General Purpose Indoor & Outdoor, Fixed	Solution for	Gain Reference Antenna Measurement Reflector Feed Far-field Measurement System Intergration Material Measurement
-------------	-----------------------------------------	--------------	---------------------------------------------------------------------------------------------------------------------------------

Outline Drawing

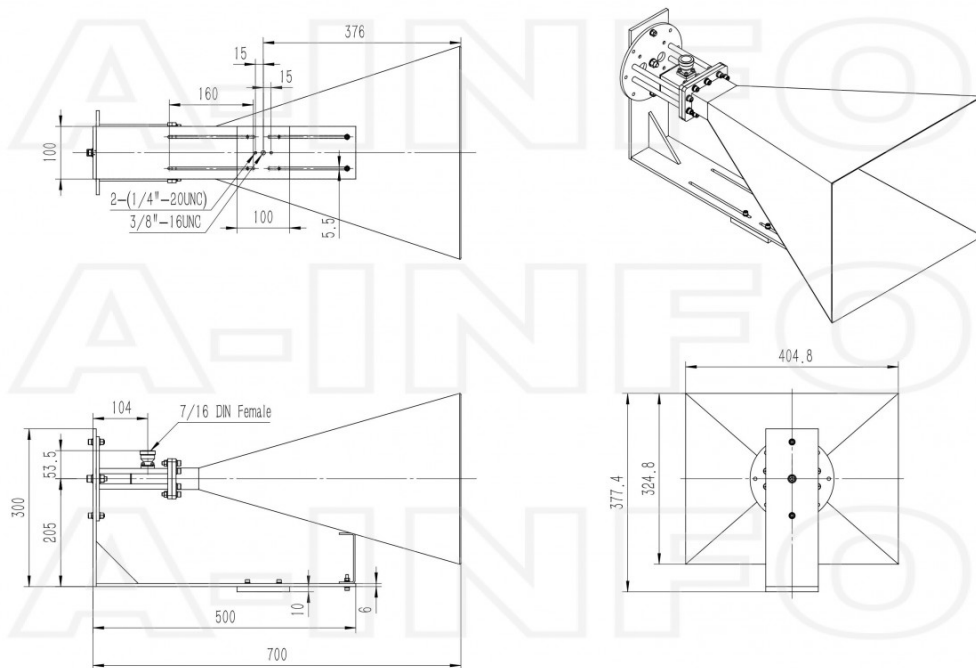
7/16(DIN) Female Output (P/N: LB-284-20-C-7/16F)



7/16(DIN) Female Output with Round Mounting Bracket (Option, P/N: LB-284-10-C-MB)

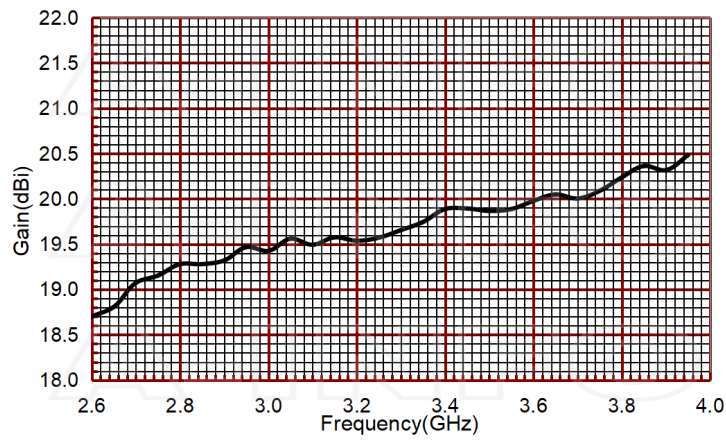


7/16(DIN) Female Output with L Type Mounting Bracket (Option, P/N: LB-284-20-C-MBL)

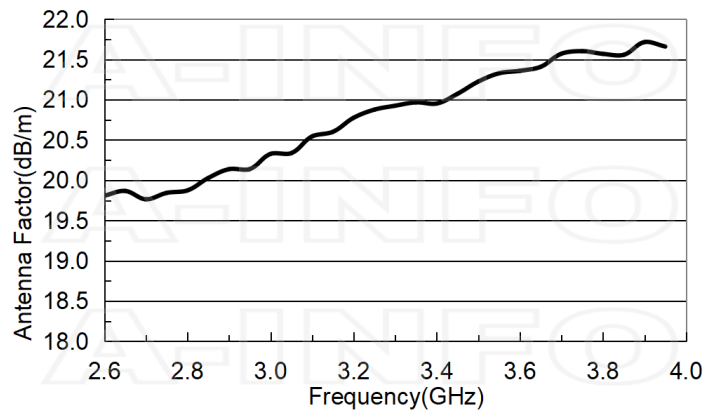


Typical Test Results

Gain



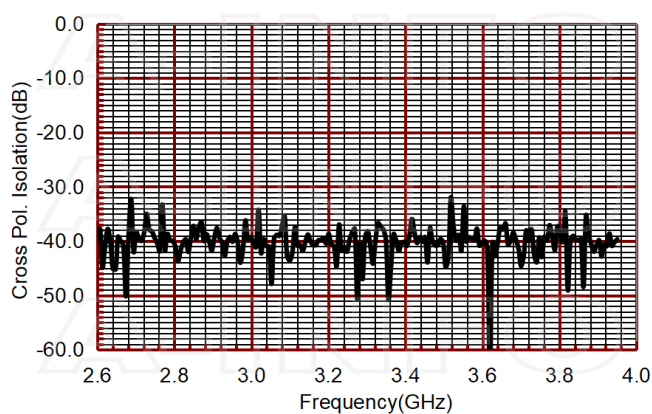
Antenna Factor



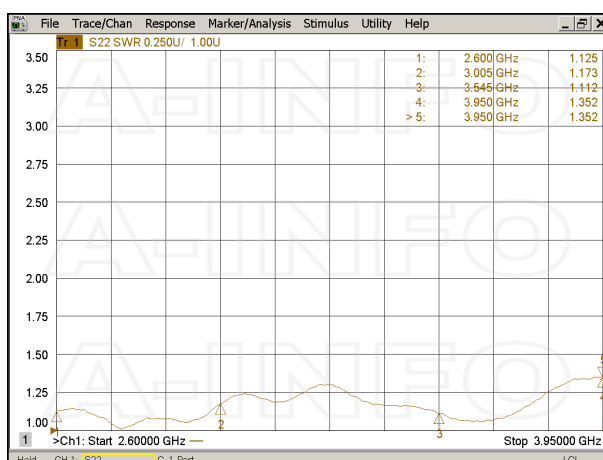
Antenna Factor (Table)

Frequency(GHz)	Gain(dBi)	Antenna Factor(dB/m)
2.60	18.70	19.81
2.70	18.81	19.87
2.80	19.07	19.76
2.90	19.15	19.84
3.00	19.28	19.87
3.10	19.28	20.03
3.20	19.32	20.14
3.30	19.47	20.14
3.40	19.43	20.33
3.50	19.56	20.34
3.60	19.49	20.54
3.70	19.57	20.60
3.80	19.54	20.78
3.90	19.57	20.88
3.95	19.65	20.93

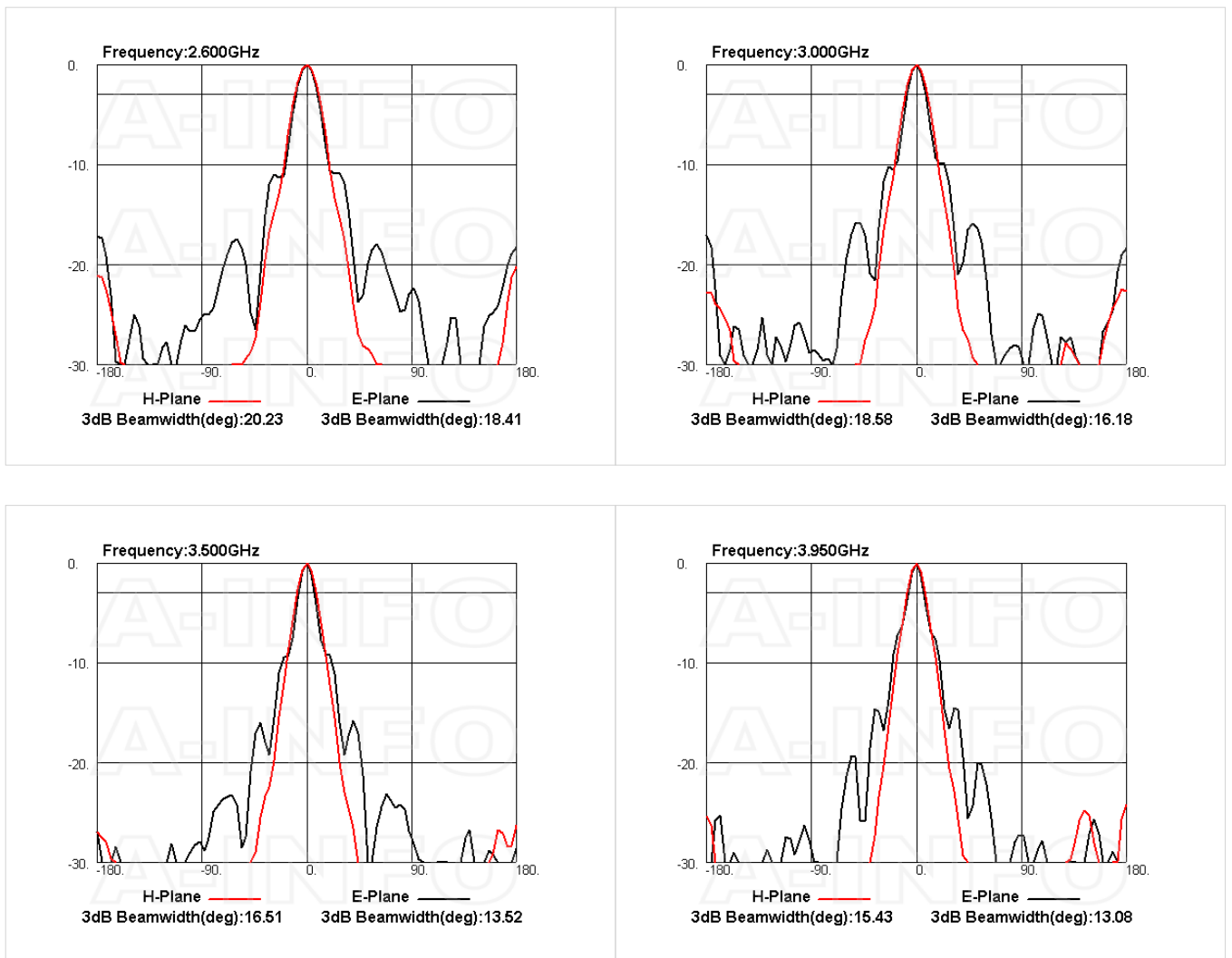
Cross Polarization Isolation



VSWR



Pattern



Related Products



LB-284-10-C-MB Round Type Mounting Bracket



LB-284-20-C-MBL L type mounting bracket



Tripod_50Kg AI Alloy Tripod



Carrying Case_LB-284-20-C AI Alloy Carrying Case

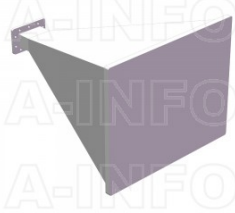


M6x30 Hex_Pack WR284-WR159
Flange Assembly Pack

Similar Products



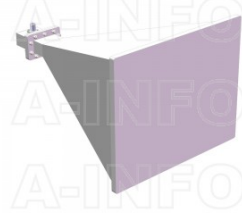
LB-284-20-A Standard Gain Horn Antenna 2.6-3.95GHz 20dB Gain Rectangular Waveguide Interface



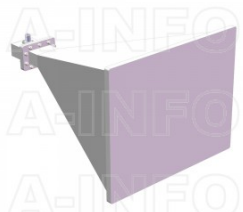
LB-284-20-ASPO Standard Gain Horn Antenna 2.6-3.95GHz 20dB Gain Rectangular Waveguide Interface



LB-284-20-C-NF Standard Gain Horn Antenna 2.6-3.95GHz 20dB Gain N Type Female



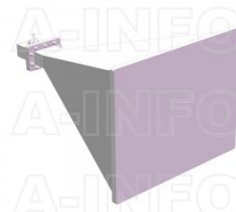
LB-284-20-C-NFSPO Standard Gain Horn Antenna 2.6-3.95GHz 20dB Gain N Type Female



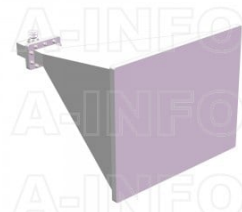
LB-284-20-C-NFSPS Standard Gain Horn Antenna 2.6-3.95GHz 20dB Gain N Type Female



LB-284-20-C-SF Standard Gain Horn Antenna 2.6-3.95GHz 20dB Gain SMA Female



LB-284-20-C-SFSPO Standard Gain Horn Antenna 2.6-3.95GHz 20dB Gain SMA Female



LB-284-20-C-7/16FSPO Standard Gain Horn Antenna 2.6-3.95GHz 20dB Gain 7/16(DIN) Female

About this Datasheet

<ul style="list-style-type: none"> ● Product Information Product Link: https://www.ainfoinc.com/lb-284-20-c-7-16f-standard-gain-horn-antenna-2-6-3-95-ghz-20db-gain-7-16-din-female Data subject to change without notice. © A-INFO INC. 2023. All Rights Reserved 	<ul style="list-style-type: none"> ● Contact Us Address:dd 60 Tesla, Irvine, CA 92618, USA Website: www.ainfoinc.com Email: sales@ainfoinc.com 	<ul style="list-style-type: none"> ● Phone & Fax Phone: +1-949-639-9688 +1-949-639-9608 Fax: +1-949-639-9670
-------------------------------------------------------------------------------------------------------------------------------------------------------------------------------------------------------------------------------------------------------------------------------------------------------------------------------------------------------------------------------------------------------------------------------------	----------------------------------------------------------------------------------------------------------------------------------------------------------------------------------------------------------------------------------------------------------------------------	------------------------------------------------------------------------------------------------------------------------------------------------------------